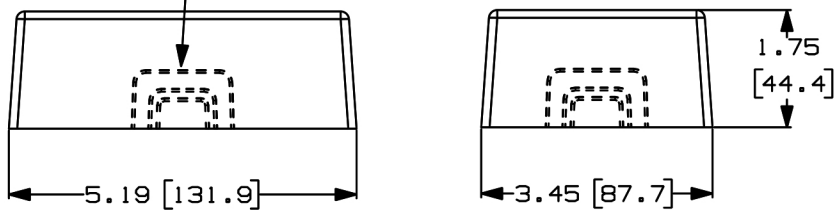


F LD STYLE BREAKOUTS ON EACH OF THE FOUR SIDE WALLS



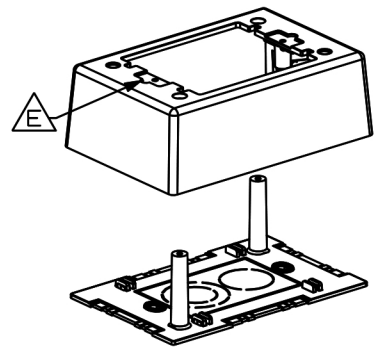
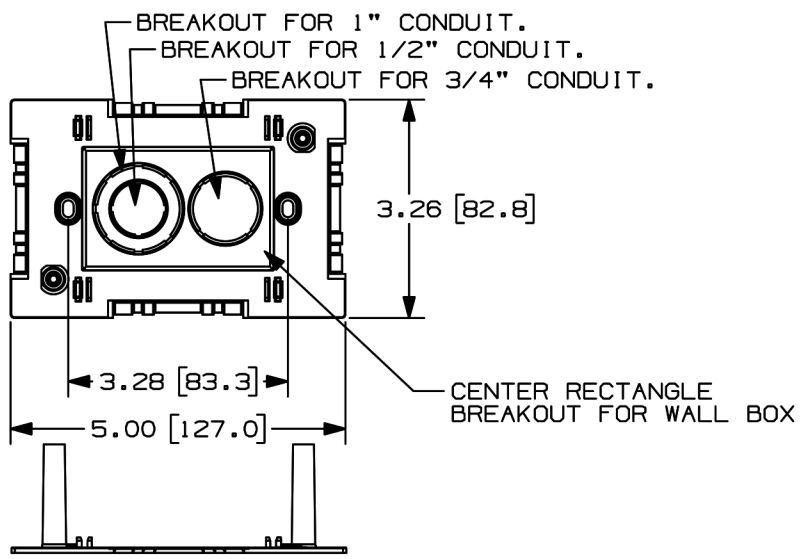
	WEIGHT
JBP1 $\triangle A$	12.3 LB/10 PCS (1025 g/10 PCS)

$\triangle D$

NOTES:

1. SEE CURRENT CATALOG FOR ADDITIONAL PART NUMBER SUFFIXES TO INDICATE COLOR AND/OR PACKAGE QUANTITY.
2. THIS PRODUCT IS INTENDED TO BE USED WITH PANDUIT TYPE LDS, LDP, LD, CD AND PD RACEWAYS.
3. DIMENSIONS IN PARENTHESIS ARE IN METRIC.
4. THIS BOX CAN BE USED WITH AN OPTIONAL DIVIDER, PART NO. JBD1.

$\triangle B$



Show Me
CABLES
cables & connectors since 1995

Title: Panduit Mounting Box- Single Gang- White

REV	DATE	BY	CHK	DESCRIPTION	ECN	CHK	CUST	SUP
3	03-22-99	DW	HIW	E. ADDED GEOMETRY WHERE NOTED.; F. REV'D BREAKOUTS C. MAT'L WAS ABS/PC.; D. REV'D PART WEIGHT	35541-42	HIW	HIW	
2	05-22-98	DW	HIW	B. NOTE 4 PART NO. WAS JB1	35541-42	HIW	HIW	
1	10-23-96	JBA	CEF	A. REV'D P/N: WAS JBIP	35541-42	CEF		
R	09-26-98	PM	CEF	RELEASED TO PRODUCTION	35541-42	CEF		

UNLESS OTHERWISE SPECIFIED, DIMENSIONAL TOLERANCES ARE: (.X) ± (.XXX) ±.010(.3) (.XX) ±.03(.8) ANGLES ±		UNLESS OTHERWISE SPECIFIED, ALL DIMENSIONS ARE GIVEN IN INCHES, THIRD ANGLE PROJECTION.	
DRAWN BY	MAT'L:	SCALE: NONE	
DATE	PVC	SKU:	DWG
CHECKED BY	$\triangle C$	JBP1WH	A
			SIZE